

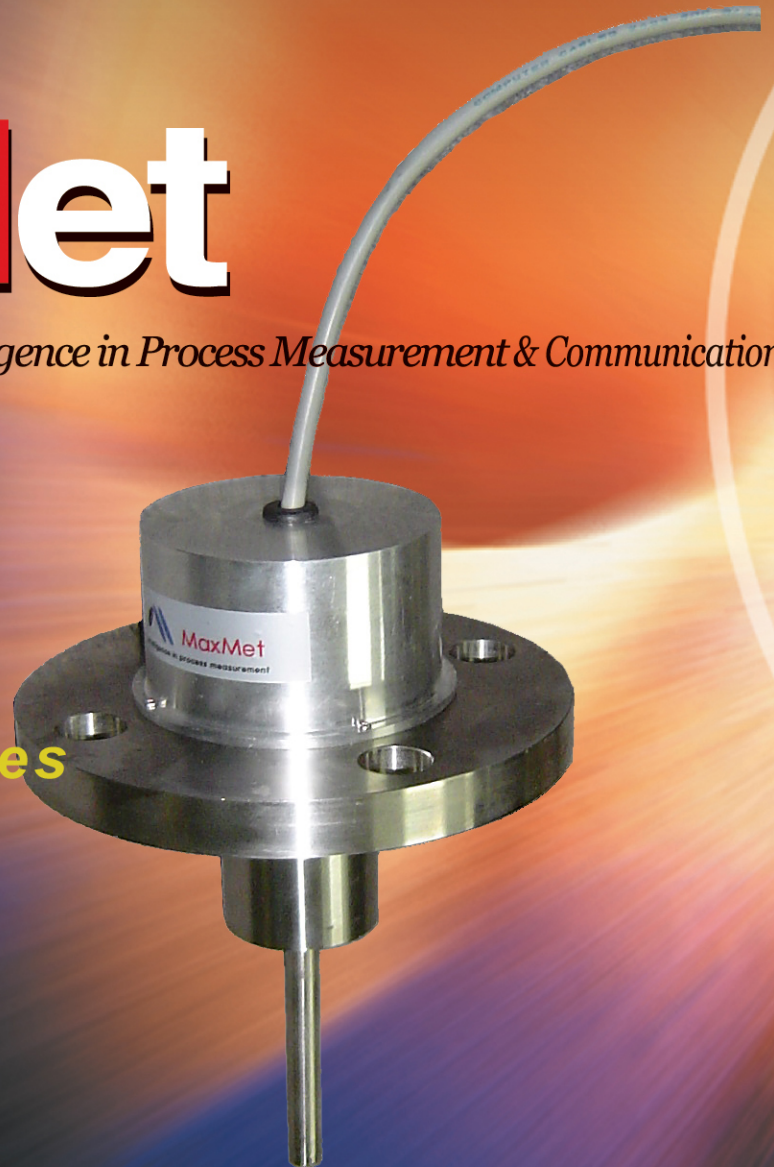
MaxMet On-line Ultrasonic Viscometers

General Catalogue

MaxMet

Intelligence in Process Measurement & Communication

MOV-2000 Series

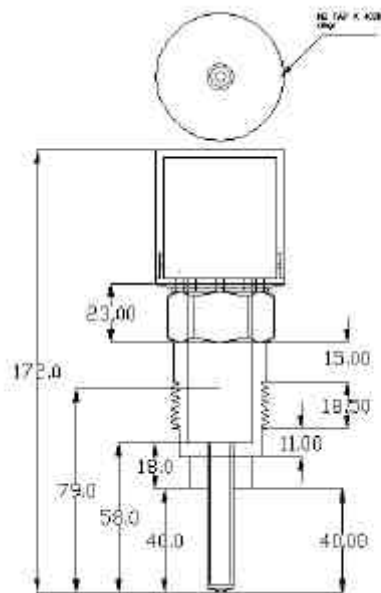


MaxMet Inc.

가 . 가
가



1. (25 – 100 mm)



2. NPT (25 – 100 mm , 50mm)

□ (transducer material) : SS 316 / SS 316L (JIS SUS 316)

□

- JIS JIS 10, JIS 16, JIS 30 kg/cm²
- DIN 10, DIN 16, DIN 25, DIN 40
- ANSI CLASS 150, CLASS 300
- KS 10 – 30 kg/cm²

□ : NEMA 4 / IP65

□

(mPa.s , cP)	0 ~ 100	10 ~ 1,000	100 ~ 10,000	1
(%)	± 2%	± 2%	± 2%	± 2%

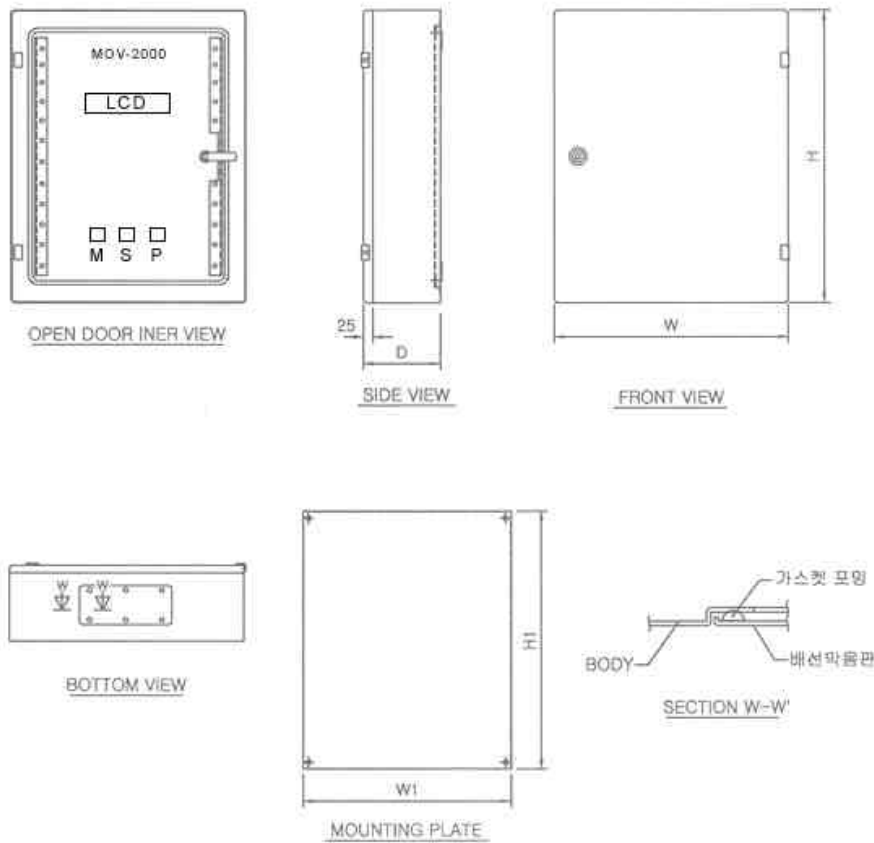
1)

가

가

.

□



: 300 x 300 x 200 mm(W x X x D)

- **Power: 220 VAC or 16 VDC ($\pm 10\%$)**
- **Power consumption: less than 10 W**
- **Indicator: 4 line 20 characters LCD (with backlight)**
- **Control buttons: Power On/Off(P), Menu (M), Selection(S)**
 - **Initiation of the measurement (system reset)**
 - **Auto system failure check**
 - **Measurement range setting**
 - **Reference and High/ Low limit setting**
 - **Alarm ON/OFF**

- **Cables: Power OD 8 mm, Signal Cable OD 6mm max. length 5 m**
- **Interface: 0- 5 V, 4- 20 mA, RS232, RS485 or other specification**
- **Optional**
 - **Graphic LCD with viscosity-time history**
 - **Monitoring Printer**
 - **Feedback control system (PID control loop)**
 - **Other order specified**

305-701

(KAIST)

6118-6119

(042)863-2880, 2890, 879-2876 Fax: (042)879-2875 E-Mail: products@maxmet.com

Homepage: www.maxmet.com

()

: (042)879-2875

(042) 863-2880, 2890

: products@maxmet.com



■

/ / (: _____)

■ (mPa.s cP): 1 ~ 50 1 ~ 100 10 ~ 1,000 100 ~ 10,000

(_____)

■ (°C): - 40 ~ 200 ° C () (_____ ° C _____ ° C)



■ : _____ (_____)

■ : NPT (_____)

■ : KS JIS ANSI/ASTM KS DIN CN

■ NTP : _____ (_____)

■ : _____ bar (gauge) _____ psig

■ : 0 ~ 5 V 4 ~ 20 mA RS232 RS485 : _____



■ : / /

■ : 220 VAC 110 VAC 16 VDC (: _____)



가

가. :

■ : NPT
■ : KS JIS ANSI/ASTM KS DIN CN NO.: _____



■ _____

■ _____